

Dylan Lavatory Set with Lever Handles

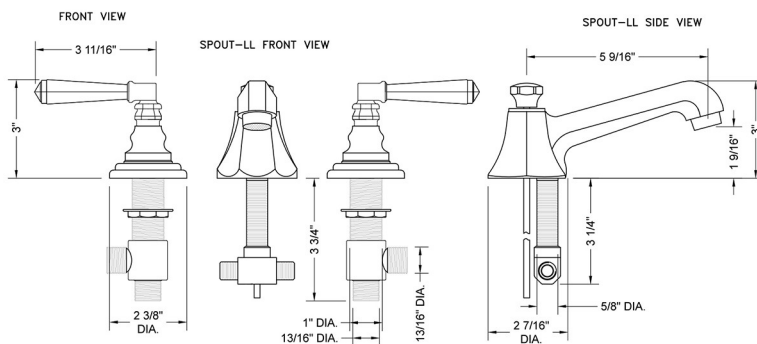
Model #: RENORE-DYLAN-LAV-L-

FEATURES:

- All brass 8" - 12" widespread faucet includes brass pop-up drain with overflow
- 1/4 turn ceramic valves
- Stationary Spout
- Standard flow rate is: 1.5 GPM
- 5 9/16" spout reach
- Spout Hole Size Min-Max: 1 1/4" - 2"
- Valve Hole Size Min-Max: 1 1/8" - 1 5/8"
- ADA Compliant Levers



SPECIFICATION DRAWING:



COMPLIANCES:

