

Dylan Tub and Shower Set  
Includes: Trim, Showerhead, Shower Arm, and Spout  
Cross Handle

Model #: RENORE-DY-SETPBT-S-C-



**TRIM FEATURES:**

- All brass construction
- Rotating the handle counter clockwise turns on the water & controls the water temperature
- Built in diverter for diverting between multiple devices (for example, diverting between a showerhead and a handshower)
- Requires rough valve RENORE-PBT-SVALVE

**SHOWERHEAD FEATURES:**

- A POWER SHOWER
- 1/2" IPS adjustable brass ball joint to adjust angle of showerhead
- 4" diameter with 91 sprays for full rain effect
- Standard flow rate is 2.5 GPM

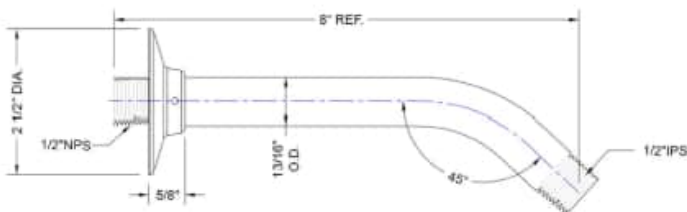
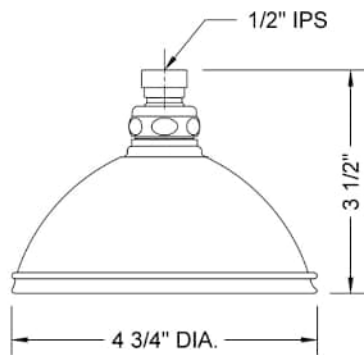
**SHOWER ARM FEATURES:**

- Brass 45° showerarm with 2 1/2" diameter set screw escutcheon
- 1/2" Male IPS
- 8" length

**SPOUT FEATURES:**

- All brass tub spout
- 1/2" IPS quick connect stub out nipple included
- 8 3/16" center spout reach
- 8 3/4" overall reach
- Quick connect/disconnect (refer to install instructions for proper install)
- No splash full flow aerator

**SPECIFICATION DRAWING:**



**SPRAY PATTERNS:**



Power Rain

