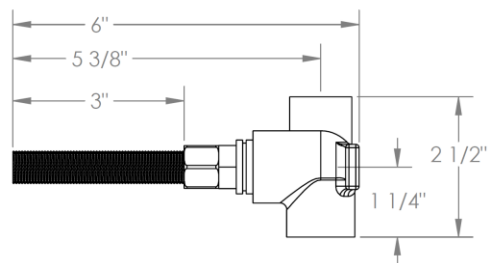
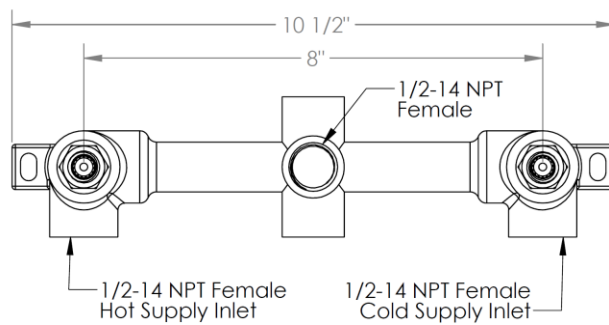


O'NEIL RUPPEL

BESPOKE FAUCETRY | ONEILRUPPEL.COM

SS-THV2.2-26

Wall Mounted 2 Handle Lavatory Rough for Centered Spout



Meets the applicable requirements of ASME A112.18.1-2005/CSA B125.1-05, entitled "Plumbing Supply Fittings"