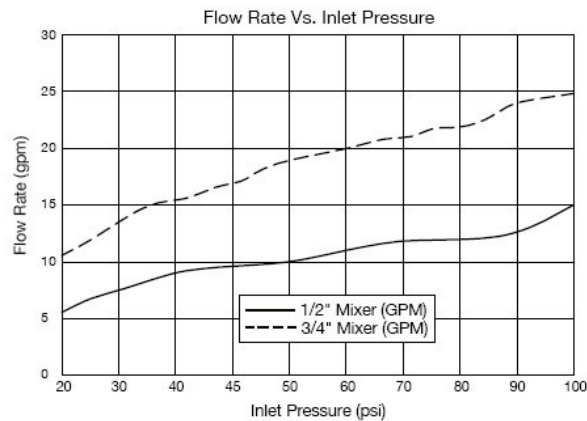
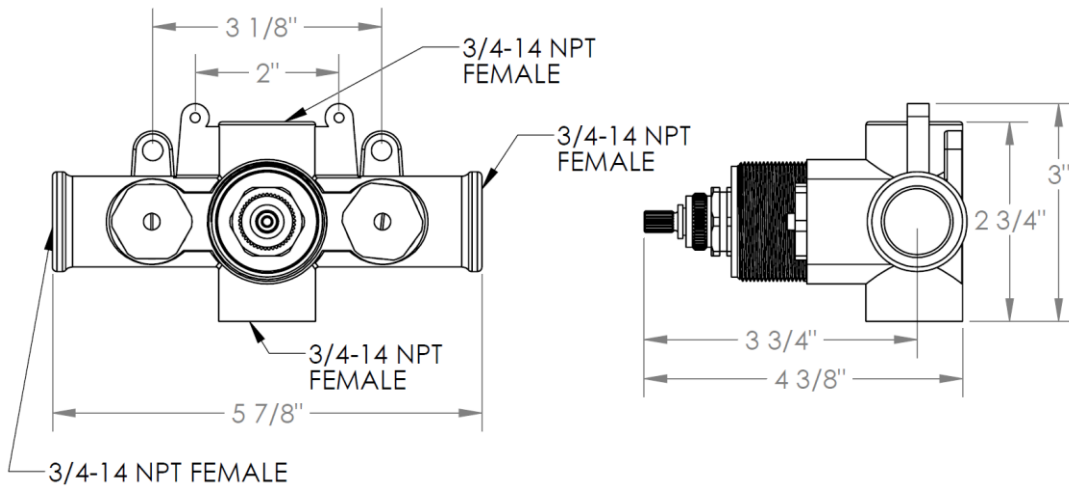
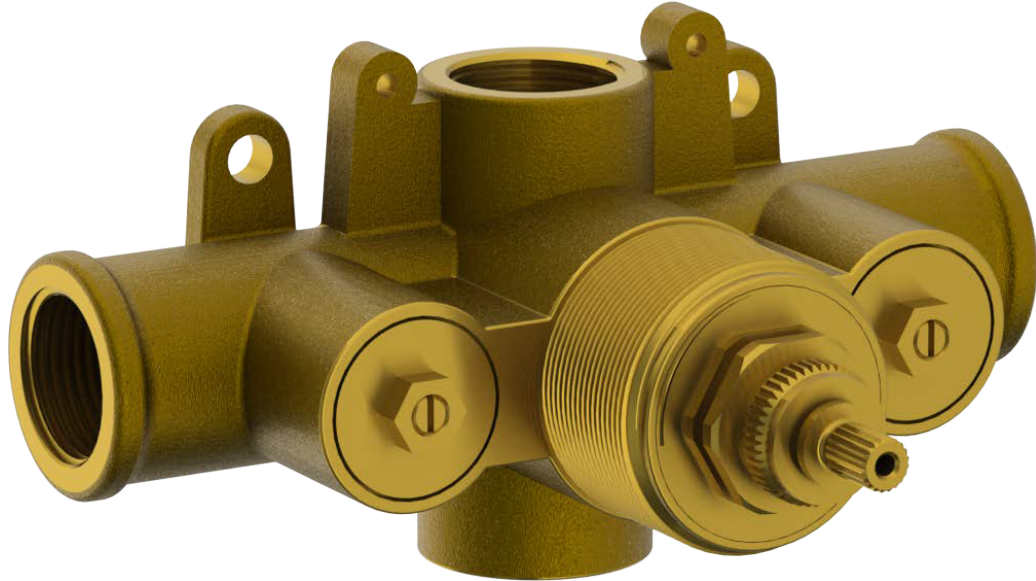


O'NEIL RUPPEL

BESPOKE FAUCETRY | ONEILRUPPEL.COM

SS-TH3000

3/4" Thermostatic Valve



Meets the applicable requirements of ASME A112.18.1-2005/CSA B125.1-05, entitled "Plumbing Supply Fittings"