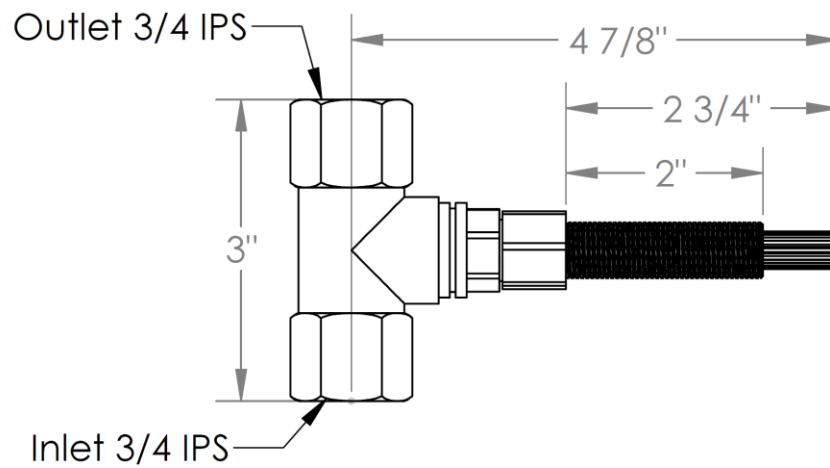
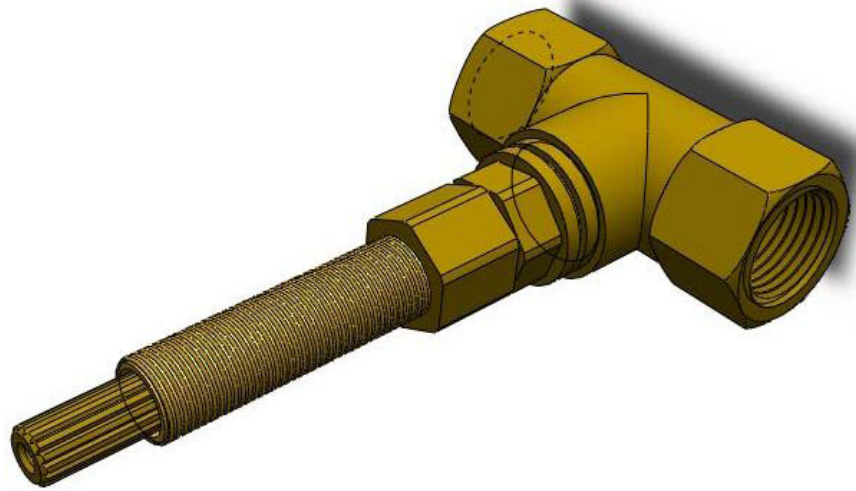


O'NEIL RUPPEL

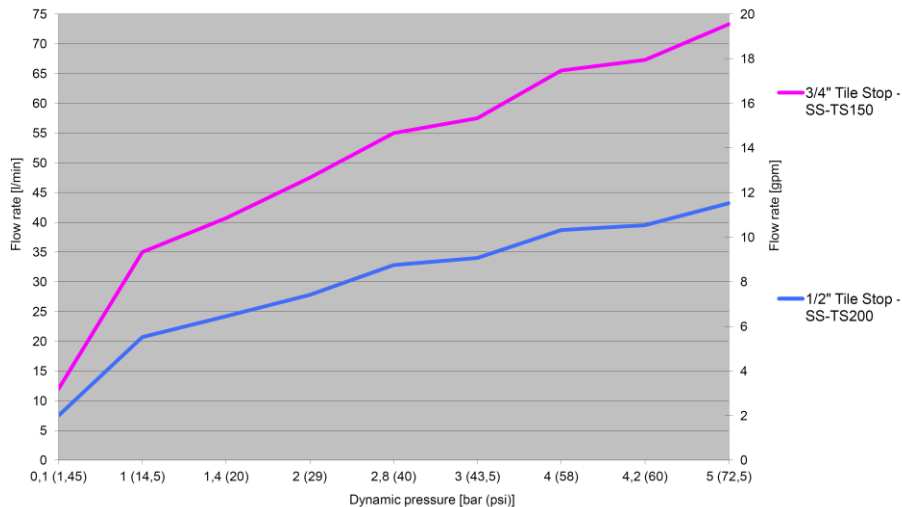
BESPOKE FAUCETRY | ONEILRUPPEL.COM

SS-TS150
3/4" Tile Stop

223 W 77TH



Flow rate for 1/2" and 3/4" Tile Stop Valves



Meets the applicable requirements of ASME A112.18.1-2005/CSA 125.1-05, entitled "Plumbing Supply Fittings"