

# Twain



## OR-TUB-TWAIN5731-X

**SIZE:**  
57" x 31" x 21.5"

**WATER CAPACITY:**  
75 Gallons

**WEIGHT:**  
300 Pounds

**BACK SLOPE:**  
17°

**MATERIAL:**  
1-2.5" Nominal Thickness  
HydroLuxe SS Construction

**FINISH:**  
Matte, Gloss

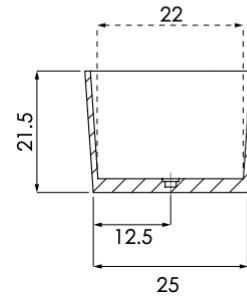
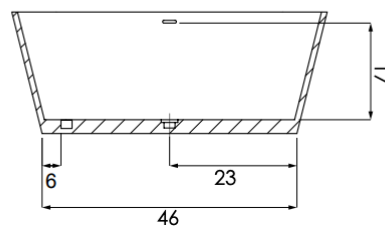
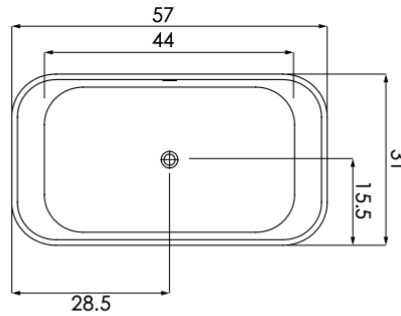
**WARRANTY:**  
10 Year Warranty.

**FEATURES:**

- Linear Integral Waste & Overflow
- Overflow and drain comes standard in color match to tub, unless specified otherwise.
- Bathtub available in 19 color choices

**OPTIONAL:**

- Island Tub Drain
- Advanced UV System
- Cold Plunge
- Thermal Air System
- Thermal Air Blower Pump: 5"(H) x 11"(L)
- Hydro Fusion: 7"(H) x 15.5"(L)
- Hydro Indulge: 11"(H) x 19"(L)
- Electrical Requirements 1 15 AMP dedicated circuit, GFCI-115 Volts



**CODES AND COMPLIANCES**

Massachusetts code File no: P1-0614-491



All specifications and options subject to change without notice please contact a Renaissance Tile & Bath representative for more information.

# Twain

## 5731 Model

### O'Neil Ruppel Bathtub Collection Limited Warranty 10/5/2

This limited warranty is extended to the first user or the original retail purchaser for a period of Ten (10) Years on the Bathtub, 5 Years on Electronics and 2 years on the air channel, plumbing, and labor to replace electronics or any other repair that is covered from date of purchase, and is not enforceable by any other party. RENAISSANCE TILE & BATH warrants that the system and/or bathtub is free from defects in the workmanship and/or materials.

This limited warranty does not include any other items not manufactured by RENAISSANCE TILE & BATH. RENAISSANCE TILE & BATH does not assume liability for the finish or the wearing quality of any plated product. No dealer or other person has any authority to make any warranties or representations concerning RENAISSANCE TILE & BATH or its products.

Accordingly, RENAISSANCE TILE & BATH is not responsible for any such warranties or representations. THERE ARE NO WARRANTIES BEYOND THE DESCRIPTION ON THE FACE HEREOF. NO WARRANTY OF MERCHANTABILITY, FITNESS, NOR OTHER WARRANTY (WHETHER EXPRESS, IMPLIED OR STATUTORY) IS MADE BY RENAISSANCE TILE & BATH, EXCEPT THAT IT WARRANTS THE GOODS TO BE FREE FROM DEFECTS IN MATERIALS AND WORKMANSHIP IN NORMAL USE AND SERVICE AS DESCRIBED ON THE FACE HEREOF.

### Warranty Obligations of RENAISSANCE TILE & BATH

Should a defect in workmanship and/or material in any item covered by this warranty become evident during the term of the warranty, then upon the consumer following the procedures set forth below, RENAISSANCE TILE & BATH at its opinion, will repair or replace such item at its own cost and expense. RENAISSANCE TILE & BATH is not, however, responsible under this warranty for any cost of shipping or transportation or the equipment or parts thereof to or from the Service Department. Also, RENAISSANCE TILE & BATH is not liable for any loss of time, inconvenience, incidental expenses such as telephone calls, labor or material charges incurred in connection with the removal or the replacement of the equipment, or any other incidental or consequential damages, unless otherwise prohibited by applicable State law.

### Procedures To Be Followed To Obtain Warranty Service

- 1) Upon discovery of any defect or malfunction, notify the supplier/installer and RENAISSANCE TILE & BATH Service Department within (10) ten days and include a description of the malfunction or defect, the Renaissance Tile & Bath distributor's name and purchase order number or the 5 digit bathtub serial number. The bathtub serial number can be found on the warranty card or on the model card located on the underside of the bathtub.
- 2) Upon inspection, RENAISSANCE TILE & BATH at its option will repair or replace any defective or malfunctioning part of its system or bathtub. If repairs cannot be made on site, RENAISSANCE TILE & BATH at its opinion will repair or replace at the factory. However, the cost of removal or installation of a replacement system and cost of transportation to and from RENAISSANCE TILE & BATH are not covered. All parts, labor and materials necessary to repair the system or bathtub are covered except parts excluded below.

### Exclusions - This Warranty Does Not Cover

- 1) Any items manufactured by other companies and installed by RENAISSANCE TILE & BATH such items may carry warranties offered by the manufactures of the original items.
- 2) Problems resulting from failure to comply with installation instructions or drawings, or improper installation.
- 3) Problems resulting from abuse, misuse, negligence or accident by any party other than RENAISSANCE TILE & BATH such as, but not limited to, damage to parts by installers.
- 4) Problems resulting in whole or part from alteration or modification of these products by any party.
- 5) Metal failures due to chemical corrosion.

### CODES AND COMPLIANCES

Massachusetts code File no: P1-0614-491



All specifications and options subject to change without notice please contact a Renaissance Tile & Bath representative for more information.

O'NEIL RUPPEL  
Luxury Bath Fittings and Bespoke Faucetry

ATLANTA 404.231.9203  
CHARLOTTE 704.372.1575  
CHICAGO 312.467.9590

DALLAS 214.571.9867  
NASHVILLE 615.742.0054  
WASHINGTON DC 703.549.7806

oneilruppel.com  
renaissancetileandbath.com